

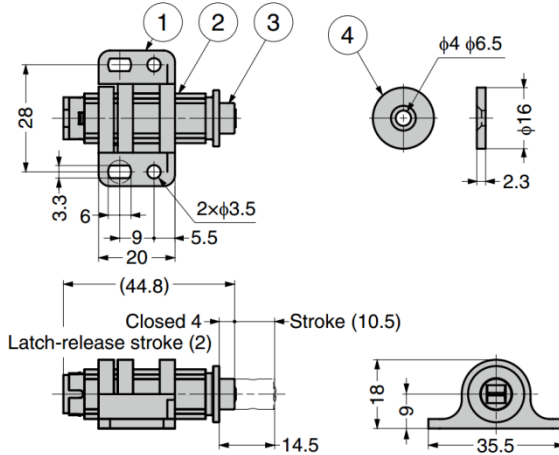
## GMC-25 Magnetic Touch Latch

### Features

- Push to open/close
- Easy adjustment (13 mm forward and backward) by revolving the body
- When closing, magnet will catch the door with a light push

### Parts Included

- Counter plate
- Round head wood screw 3.1×13 (4 pcs)
- Countersunk head wood screw 3.1×13 (1 pc)



No.	Part Name	Material	Finish / Colour
①	Base	PP	Black, White
②	Body		
③	Latch		
④	Counter Plate	Steel (SPCC)	Nickel

Part No.	Colour	Magnetic Force	
GMC-25BL	Black	4.9 N	0.5 kg
GMC-25WT	White		

## GPM-4N-HB Magnetic Touch Latch

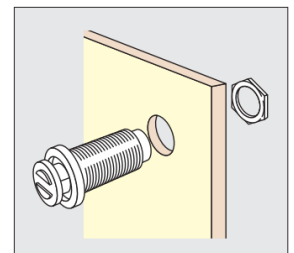
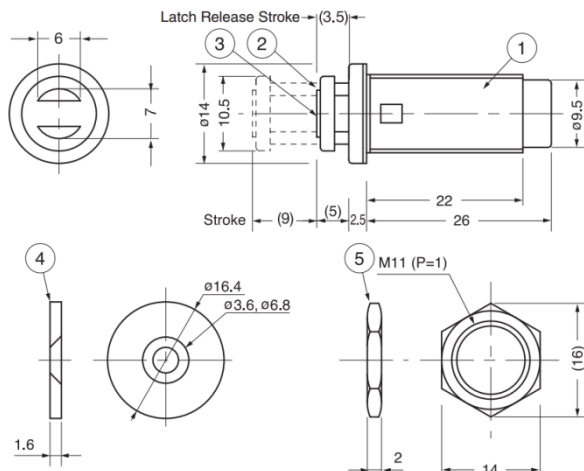
### Features

- Push to open/close

### Notes

- For overlay doors, make a 3.5 mm gap between door and cabinet frame

No.	Part Name	Material	Finish/Colour
①	Body	ABS	Black
②	Yoke	Steel	Black Nickel
③	Magnet	Ferrite	-
④	Counter Plate	Steel	GB
⑤	Nut		Yellow Zinc Chromate



Part No.	Magnetic Force	
GPM-4N-HB	12.7 N	1.3 kg